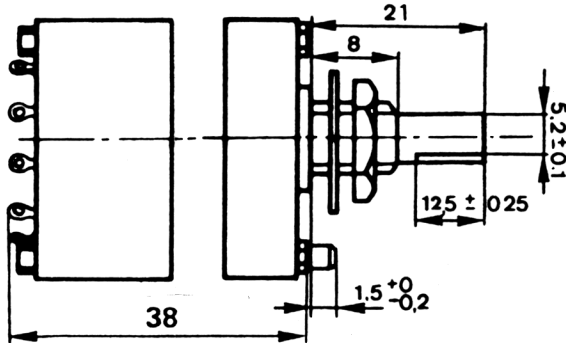


# COMPONENT MAINTENANCE MANUAL

<b>Issue .</b>		<b>SJ 328</b>
<b>Revisions</b> 1 : NATO code 1.10.2004	3, Rue de l'Industrie MC 98000 MONACO	ROTARY SWITCH
	www.iec-monaco.com	P/N :
	Tél. +377 92 05 66 88 Fax: +377 92 05 77 26	<b>A 300B 09 60 2128B</b>

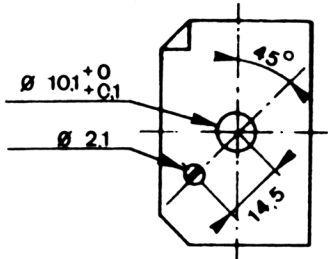


**A 300B 09 60 2128B**

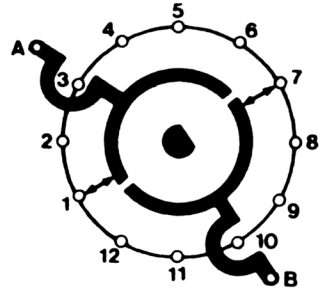
**FRONT VIEW (SWITCH SIDE)**

**68 396 003 00**

**PANEL DRILLING**



**15° ROTATION LIMIT**



**GENERAL CHARACTERISTICS**

Max. operating temp. dry heat °C	+ 125
Min. operating temp. dry cold °C	- 60
Switches with solid silver contacts	
Rated voltage (Volts)	200
Rated current (Amp)	5
Max. breaking power (Watts)	140
Contact resistance	0.002

**DIELECTRIC STRENGTH IN VOLTS D.C.**

Between non shorting contacts	3000
Between contacts and pole-pieces	5000
Between contacts, pole-pieces and ground	2000
Between two adjacent contacts (Megohms)	3.10 <sup>5</sup>
Between contacts and ground (Megohms)	1.10 <sup>5</sup>