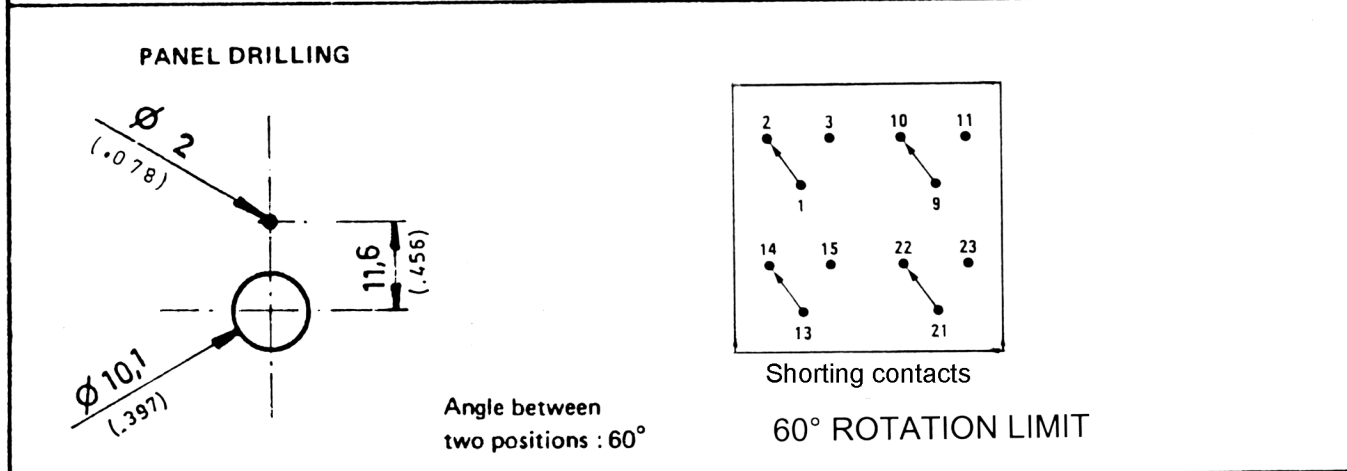
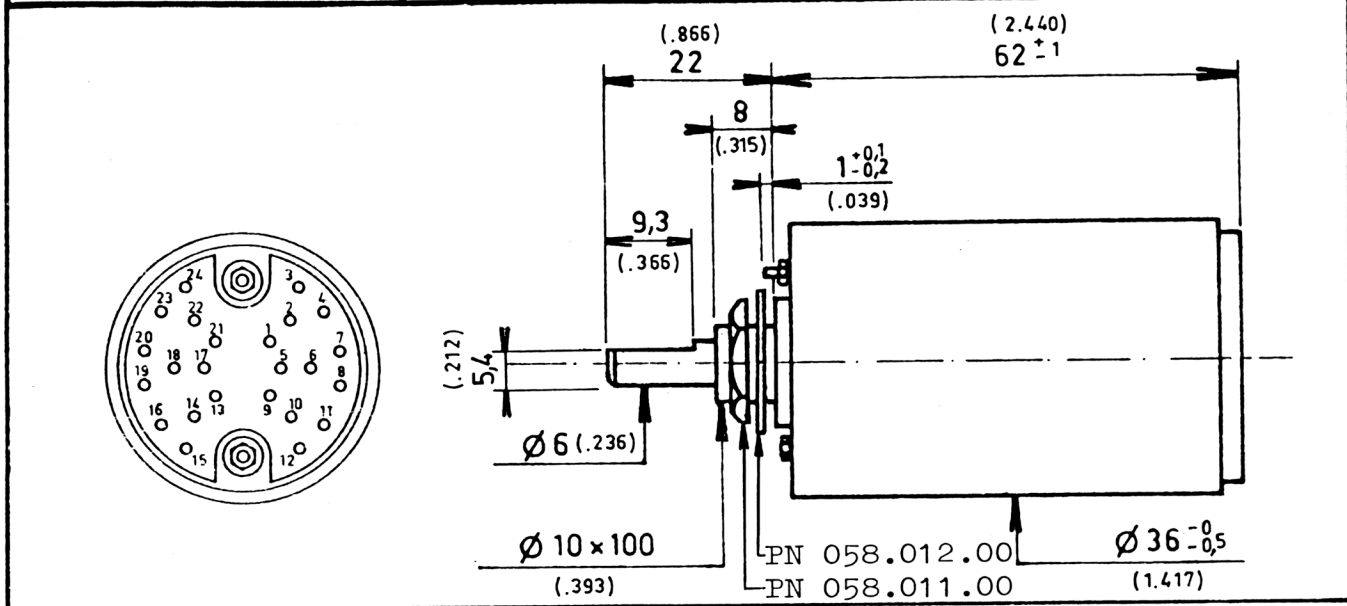


# COMPONENT MAINTENANCE MANUAL

<b>Issue Date:</b> 2002.03.12	 www.iec-monaco.com Tél. +377 92 05 66 88    Fax: +377 92 05 77 26	<b>SJ 328</b> ROTARY SWITCH P.N: 058-022-00
<b>Révisions</b> 1 : NATO code 1.10.2004		3, Rue de l'Industrie MC 98000 MONACO



<b>GENERAL CHARACTERISTICS</b>	
Max. operating temp. dry heat	+85°C. (185°F)
Min. operating temp. dry cold	-55°C. (131°F)
Switches with solid silver contacts	
Rated voltage (Volts)	28 DC. 115 AC
Rated current (Amp)	2 - 1,5
Max. breaking power (Watts)	170
Contact resistance (ohms)	< 0,05
<b>DIELECTRIC STRENGTH IN VOLTS A.C.</b>	
Between contacts	1500
Between contacts and pole-pieces	1500
Between contacts, pole-pieces and ground	1500
Between two adjacent contacts (Megohms)	1.10 <sup>3</sup>
Between contacts and ground (Megohms)	1.10 <sup>3</sup>