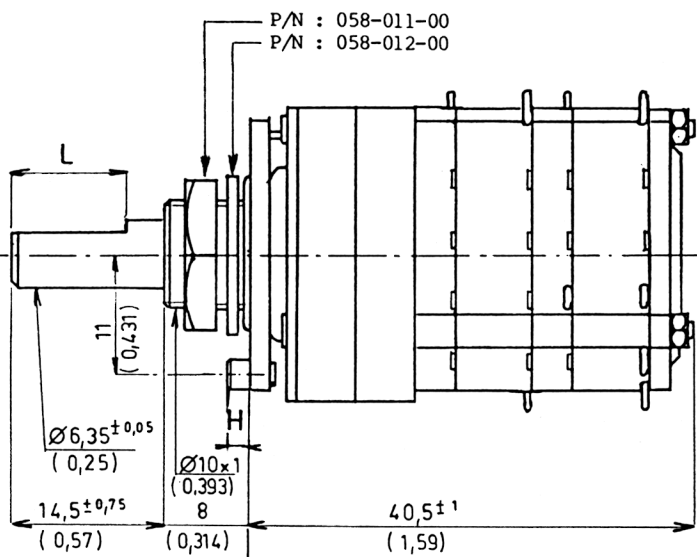
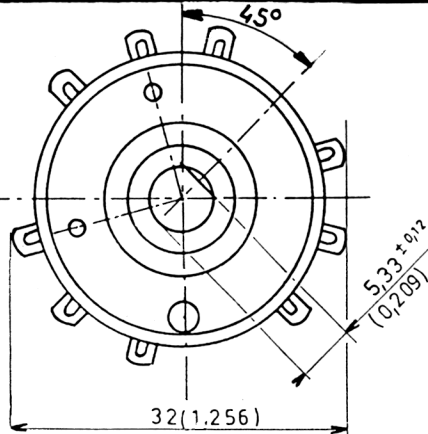


COMPONENT MAINTENANCE MANUAL

Issue Date : 26-04-94	 www.iec-monaco.com Tél. +377 92 05 66 88 Fax: +377 92 05 77 26	SJ 328 ROTARY SWITCH P/N : 097-023-00 P/N : 097-023-01
Révisions 1 : 28.04.95		
2 : 20-11-96 Added : 097-023-01		
3 : NATO code 1.10.2004		

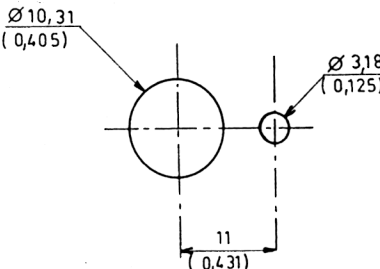


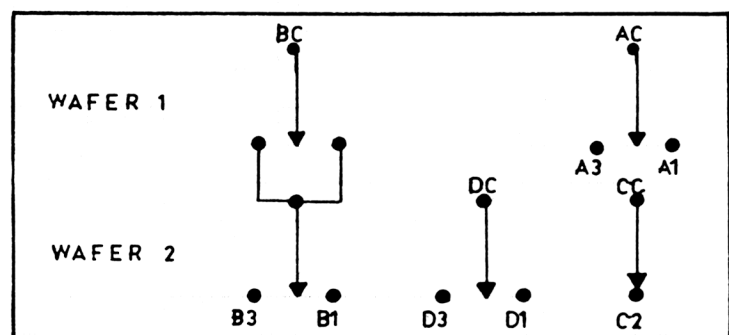
P/N : 058-011-00
P/N : 058-012-00



P/N	L	H
097-023-00	11 ± 0,5 (0,432)	2 (0,0785)
097-023-01	10 ± 0,3 (0,393)	1,2 ± 0,1 (0,047)

PANEL DRILLING





Angle between two positions : 30° 60° ROTATION LIMIT

GENERAL CHARACTERISTICS	
Max. operating temp. dry heat	+ 70 °C
Min. operating temp. dry cold	- 15 °C
Switches with solid silver contacts	
Rated voltage (Volts)	28 DC.
Rated current (Amp)	0,5
Max. breaking power (Watts)	15
Contact resistance (ohms)	< 0,01
DIELECTRIC STRENGTH IN VOLTS A.C.	
Between contacts	3000
Between contacts and pole-pieces	2500
Between contacts, pole-pieces and ground	2000
Between two adjacent contacts (Ω)	≥ 5.10 ⁶
Between contacts and ground (Ω)	≥ 1.10 ⁵
<u>VERY IMPORTANT</u> : never clean soldering points after cabling.	

STORAGE CONDITIONS : in original packages under acceptable climatic conditions.