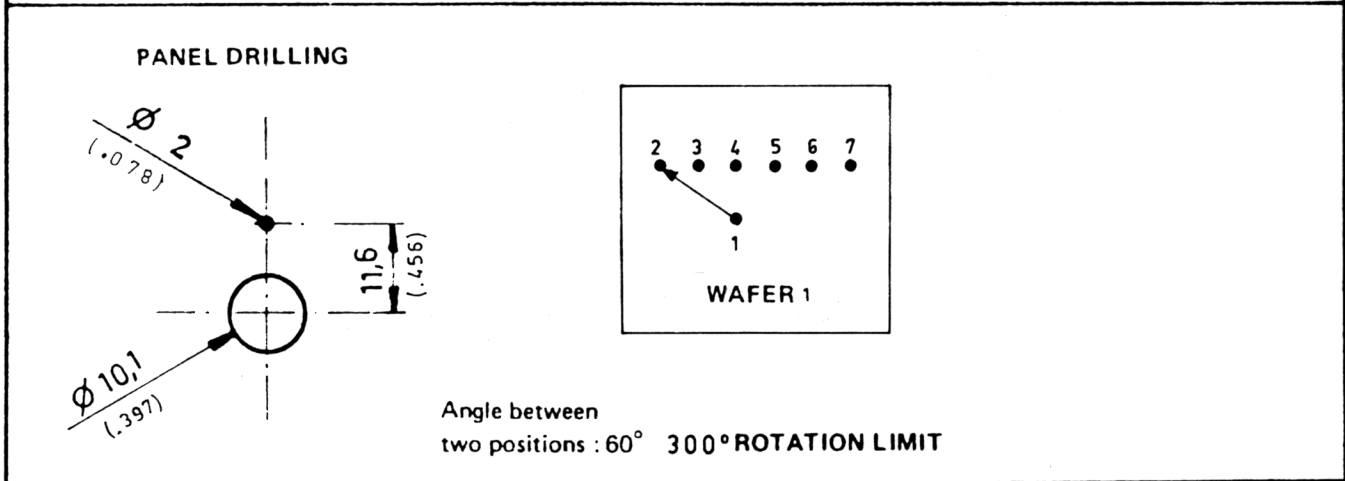
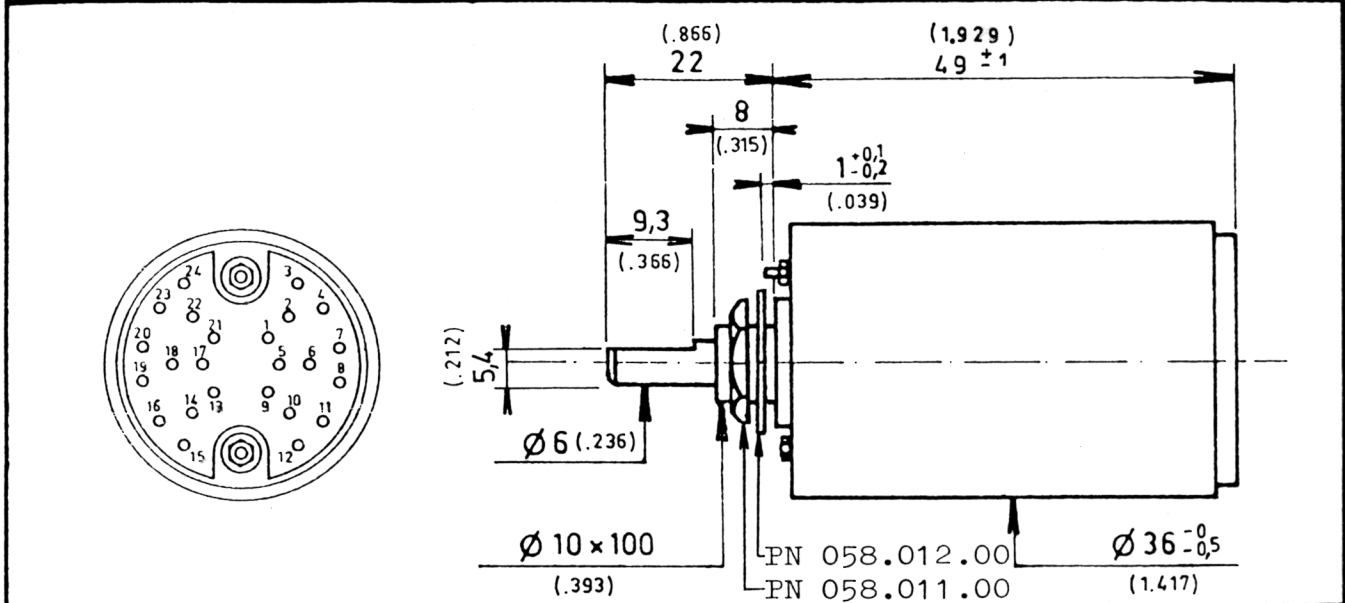


COMPONENT MAINTENANCE MANUAL

Issue Date: 29-6-92	iecc <i>electronique</i> — monaco — www.iec-monaco.com Tél. +377 92 05 66 88 Fax: +377 92 05 77 26	SJ 328	
Révisions 1: NATO code 1.10.2004		3, Rue de l'Industrie MC 98000 MONACO	ROTARY SWITCH P/N: 058-019-00



GENERAL CHARACTERISTICS	
Max. operating temp. dry heat	+85°C. (185°F)
Min. operating temp. dry cold	-55°C. (131°F)
Switches with solid silver contacts	
Rated voltage (Volts)	28 DC. 115 AC
Rated current (Amp)	2 - 1,5
Max. breaking power (Watts)	170
Contact resistance (ohms)	< 0,05
DIELECTRIC STRENGTH IN VOLTS A.C.	
Between contacts	1500
Between contacts and pole-pieces	1500
Between contacts, pole-pieces and ground	1500
Between two adjacent contacts (Megohms)	1.10 ³
Between contacts and ground (Megohms)	1.10 ³

STORAGE CONDITIONS : in original packages under acceptable climatic conditions.