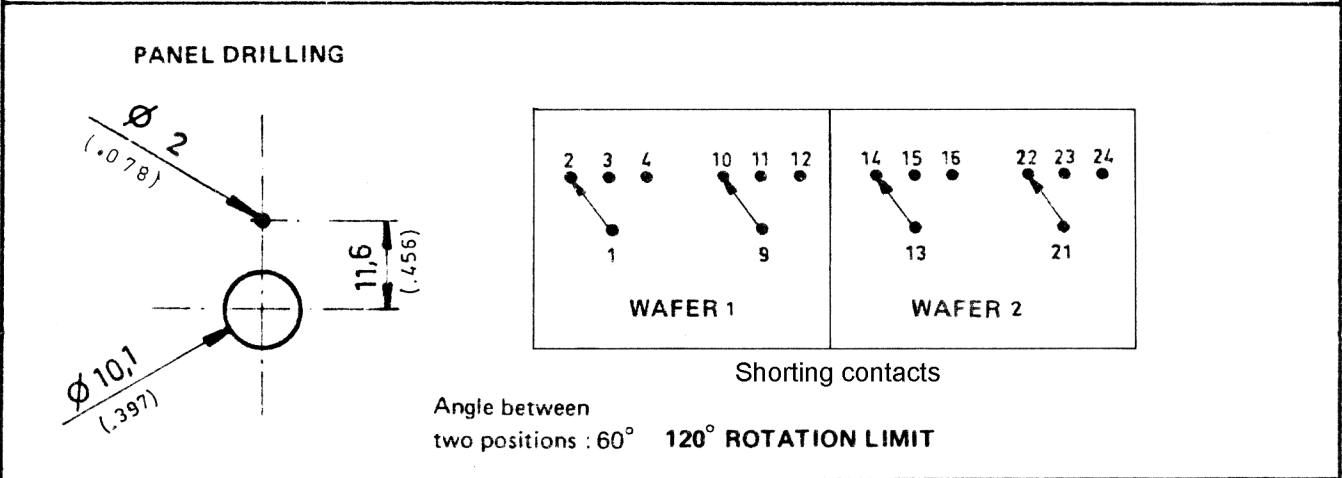
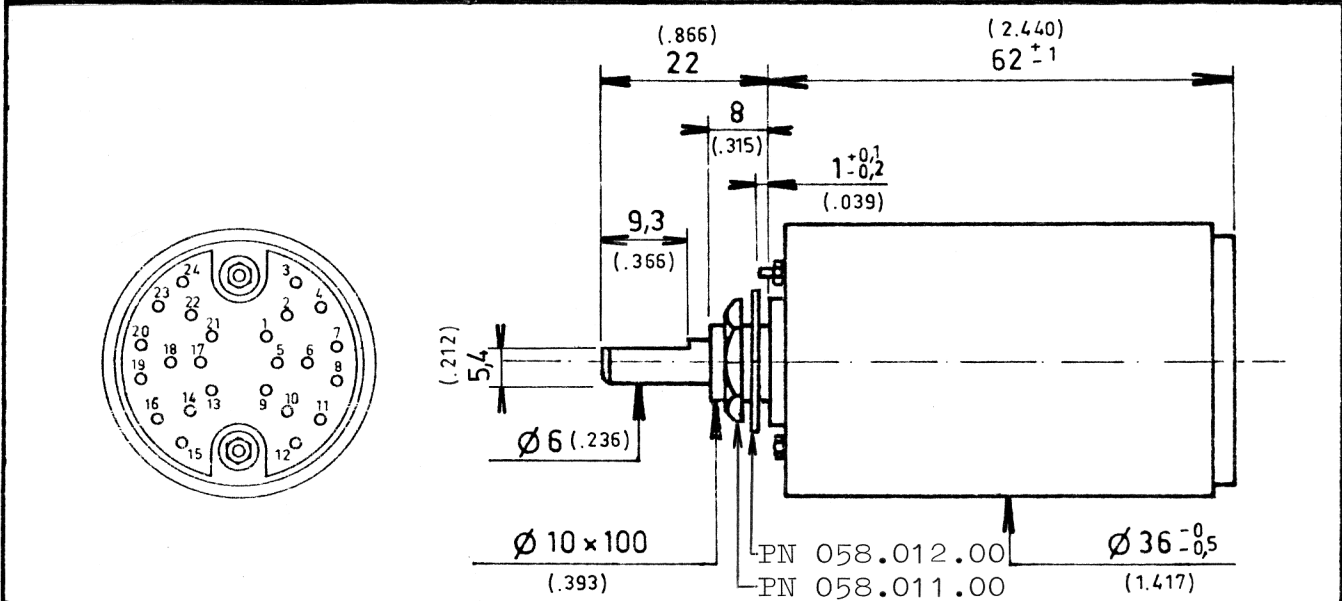


# COMPONENT MAINTENANCE MANUAL

Issue Date: 87.11.03	<b>iecc</b> <i>electronique</i> — monaco — www.iec-monaco.com Tél. +377 92 05 66 88      Fax: +377 92 05 77 26	<b>SJ 328</b>	
Révisions 1 : 90.12.20.		3, Rue de l'Industrie MC 98000 MONACO	ROTARY SWITCH
2: NATO code 1.10.2004			P.N: 058-001-00



<b>GENERAL CHARACTERISTICS</b>	
Max. operating temp. dry heat	+85°C. (185°F)
Min. operating temp. dry cold	-55°C. (131°F)
Switches with solid silver contacts	
Rated voltage (Volts)	28 DC. 115 AC
Rated current (Amp)	2 - 1,5
Max. breaking power (Watts)	170
Contact resistance (ohms)	< 0,05
<b>DIELECTRIC STRENGTH IN VOLTS A.C.</b>	
Between contacts	1500
Between contacts and pole-pieces	1500
Between contacts, pole-pieces and ground	1500
Between two adjacent contacts (Megohms)	1.10 <sup>3</sup>
Between contacts and ground (Megohms)	1.10 <sup>3</sup>