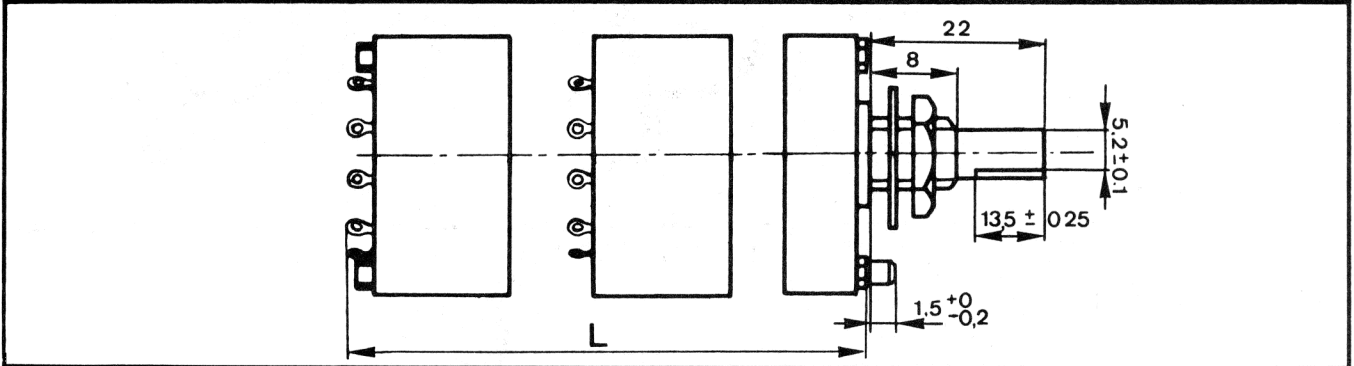
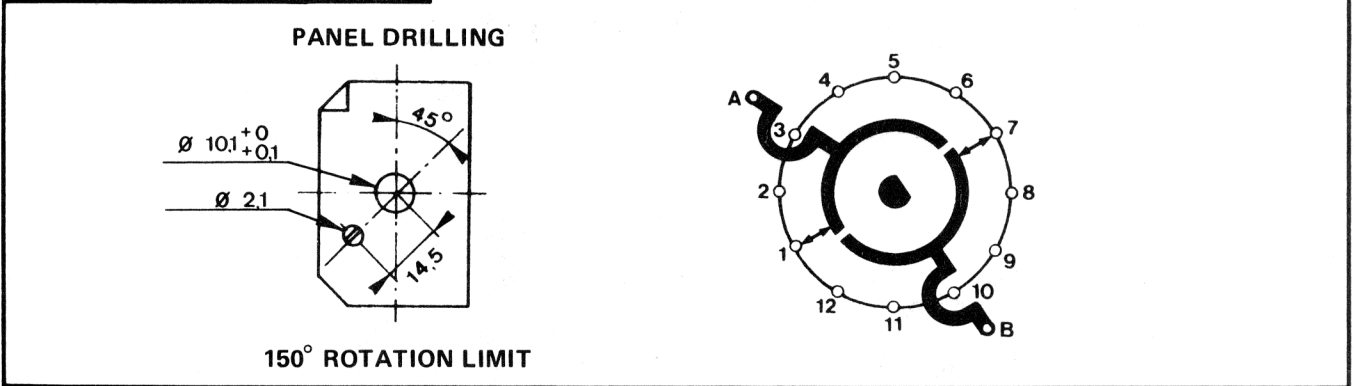


COMPONENT MAINTENANCE MANUAL

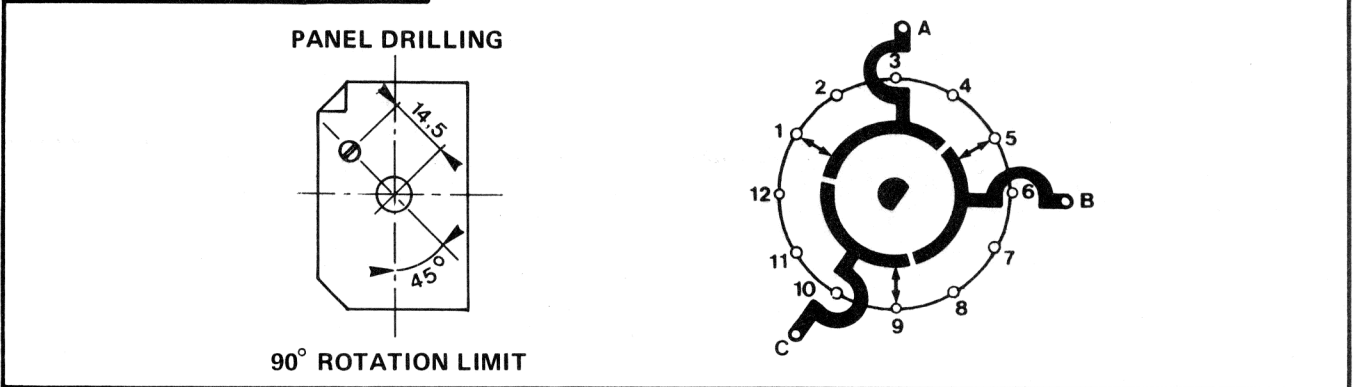
Issue :	ROTARY SWITCH SD 12 www.iec-monaco.com	IEC ELECTRONIQUE SJ 328
Revisions 1: NATO code 1.10.2004		



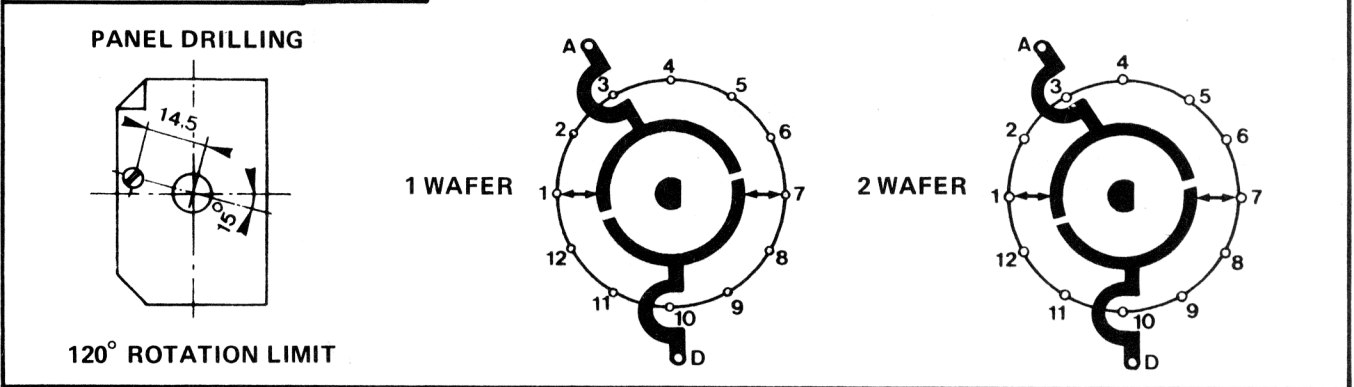
A 300B 09 60 2128A | L = 38 | FRONT VIEW (SWITCH SIDE)



A 300B 09 60 108E | L = 38 | FRONT VIEW (SWITCH SIDE)



A 300B 09 61 154A | L = 67 | FRONT VIEW (SWITCH SIDE)

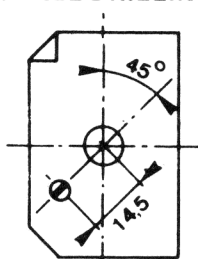


A 300B 09 66 611

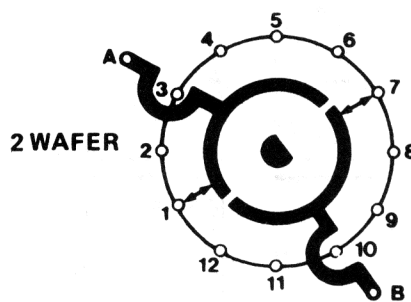
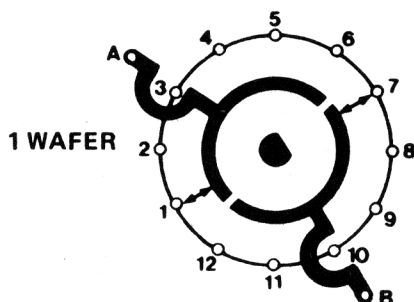
L = 67

FRONT VIEW (SWITCH SIDE)

PANEL DRILLING



150° ROTATION LIMIT

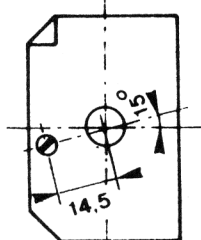


A 300B 09 69 768 A

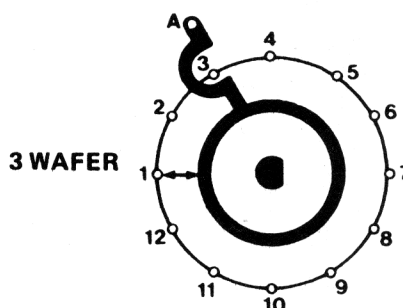
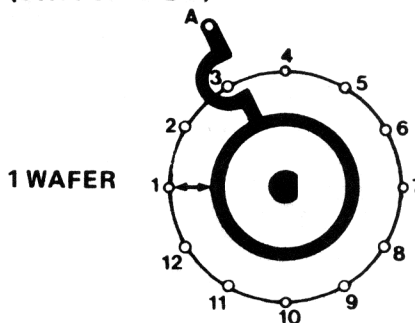
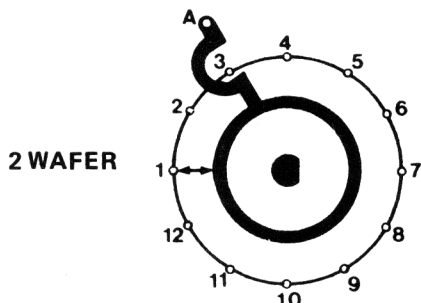
L = 96

FRONT VIEW (SWITCH SIDE)

PANEL DRILLING



WITHOUT STOPS



GENERAL CHARACTERISTICS

Max. operating temp. dry heat °C	+ 125
Min. operating temp. dry cold °C	- 60
Switches with solid silver contacts	
Rated voltage (Volts)	200
Rated current (Amp)	5
Max. breaking power (Watts)	140
Contact resistance	0.002

DIELECTRIC STRENGTH IN VOLTS D.C.

Between non shorting contacts	3000
Between contacts and pole-pieces	5000
Between contacts, pole-pieces and ground	2000
Between two adjacent contacts (Megohms)	3.10 ⁵
Between contacts and ground (Megohms)	1.10 ⁵