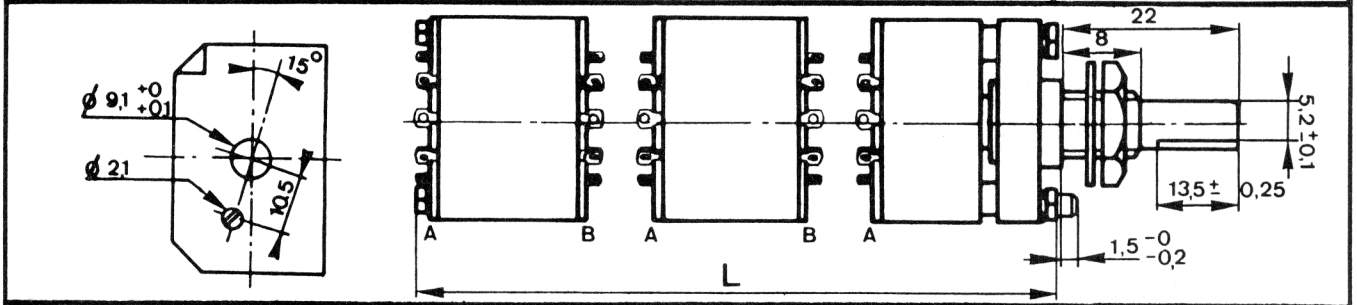


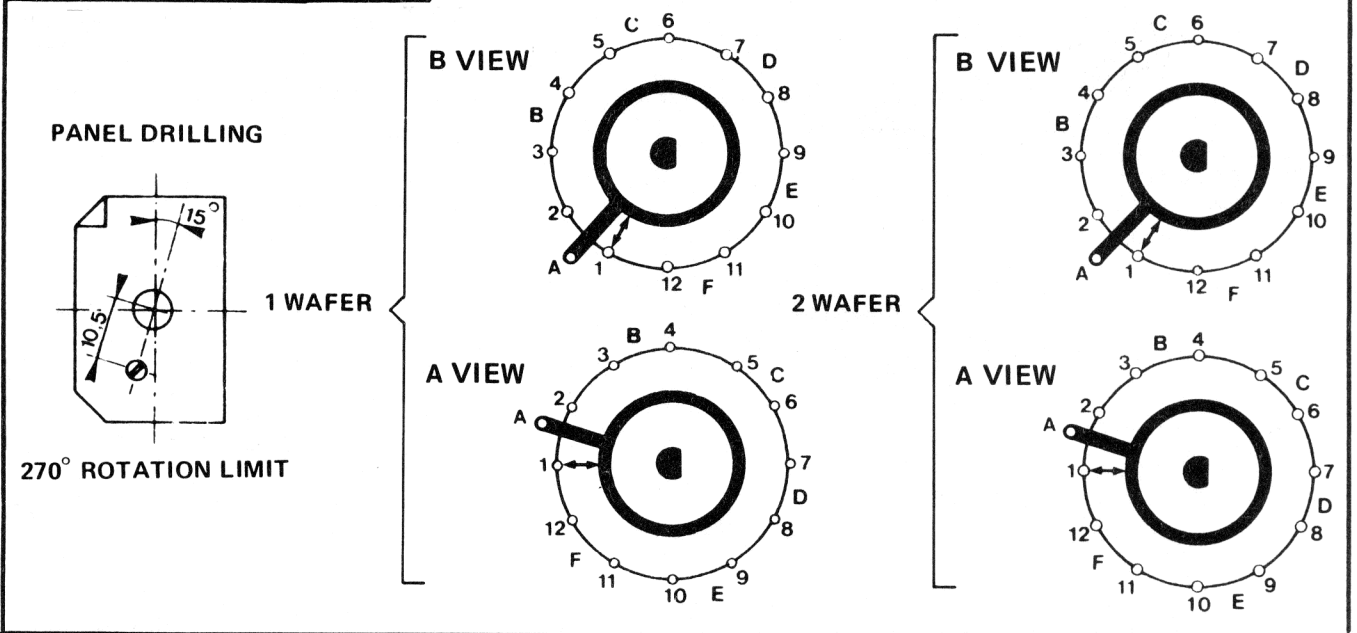
COMPONENT MAINTENANCE MANUAL

Issue.	 3, Rue de l'Industrie MC 98000 MONACO www.iec-monaco.com Tél. +377 92 05 66 88 Fax: +377 92 05 77 26	<h1 style="margin: 0;">IEC</h1> <h2 style="margin: 0;">ELECTRONIQUE</h2> <h3 style="margin: 0;">SJ 328</h3>
Revisions 1: NATO code 1.10.2004		



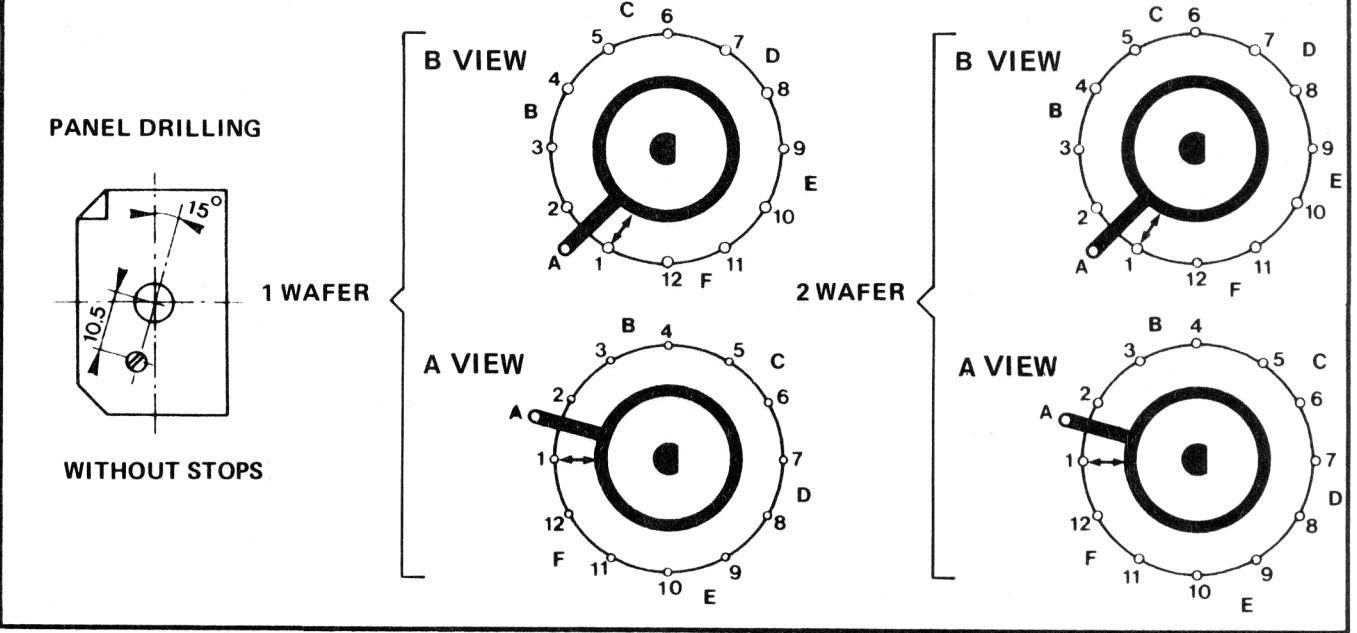
A 300B 09 60 962C L = 66

FRONT VIEW (SWITCH SIDE)



A 300B 09 69 776A L = 66

FRONT VIEW (SWITCH SIDE)



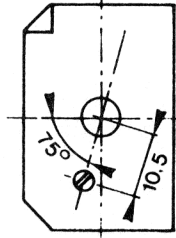
24-09-06

A 300B 09 64 329B

L = 66

FRONT VIEW (SWITCH SIDE)

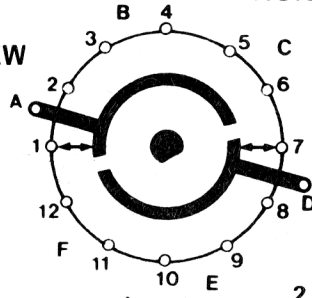
PANEL DRILLING



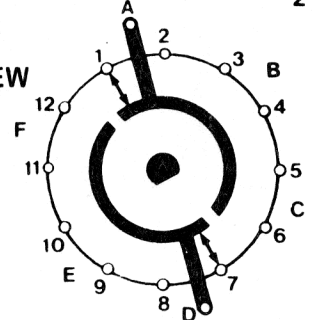
1 WAFER

150° ROTATION LIMIT

B VIEW

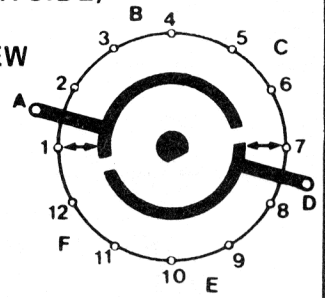


A VIEW

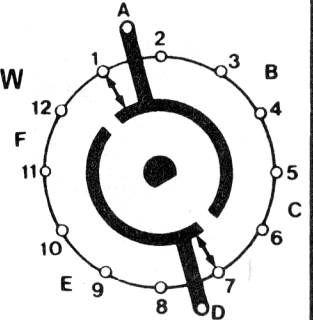


2 WAFER

B VIEW



A VIEW

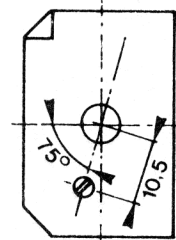


A 300B 09 60 6027B

L = 66

FRONT VIEW (SWITCH SIDE)

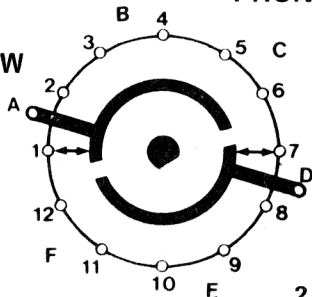
PANEL DRILLING



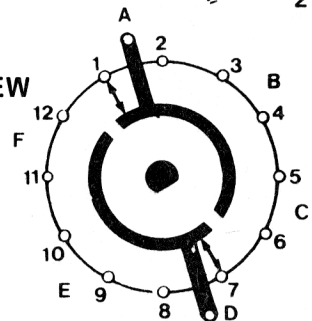
1 WAFER

120° ROTATION LIMIT

B VIEW

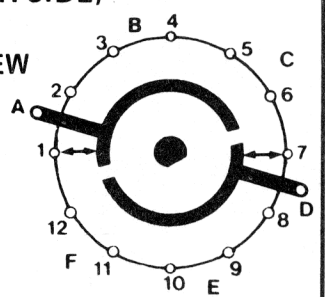


A VIEW

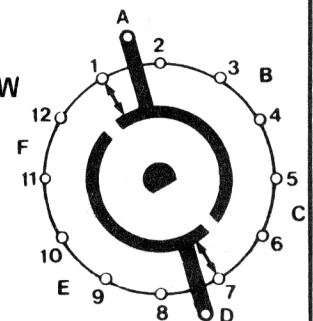


2 WAFER

B VIEW



A VIEW



GENERAL CHARACTERISTICS

Max. operating temp. dry heat °C	+ 90
Min. operating temp. dry cold °C	- 60
Switches with solid silver contacts	
Rated voltage (Volts)	150
Rated current (Amp)	1
Max. breaking power (Watts)	45
Contact resistance	0.003
DIELECTRIC STRENGTH IN VOLTS D.C.		
Between non shorting contacts	1500
Between contacts and pole-pieces	2000
Between contacts, pole-pieces and ground	1500
Between two adjacent contacts (Megohms)	1.10 ⁶
Between contacts and ground (Megohms)	1.10 ⁵