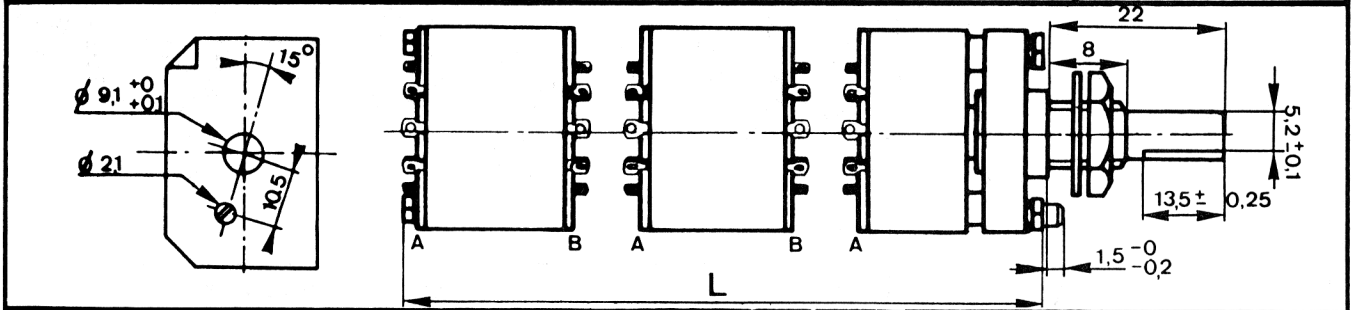
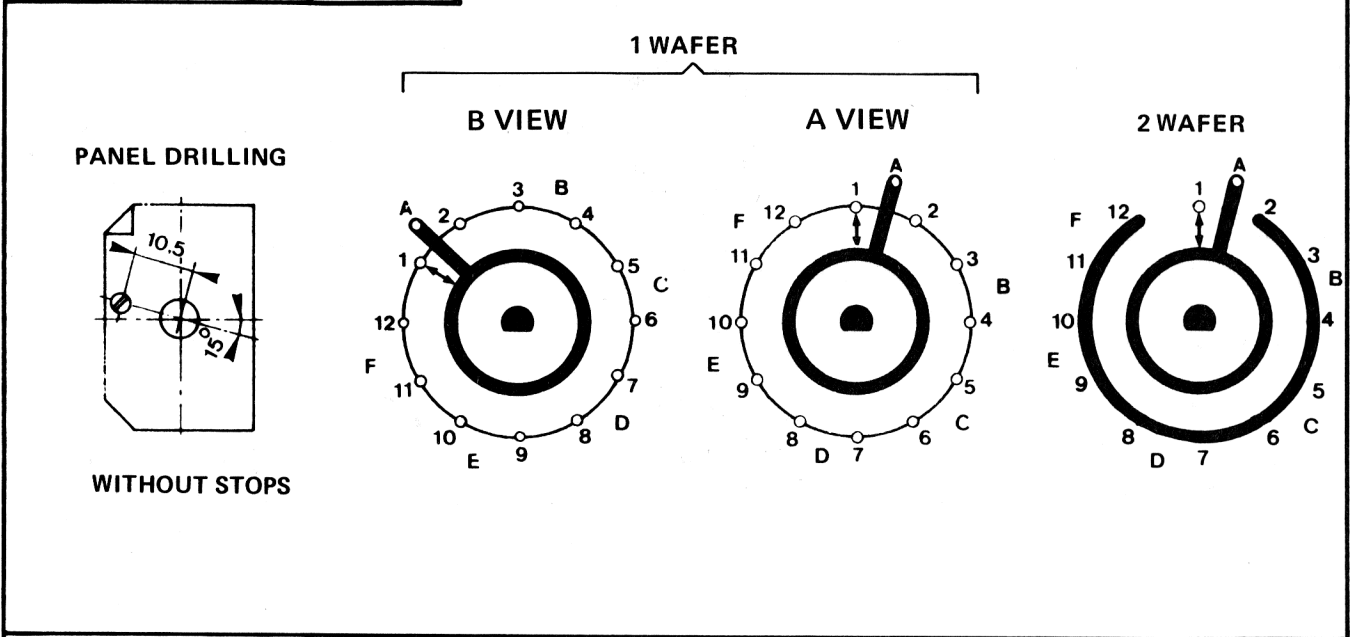


COMPONENT MAINTENANCE MANUAL

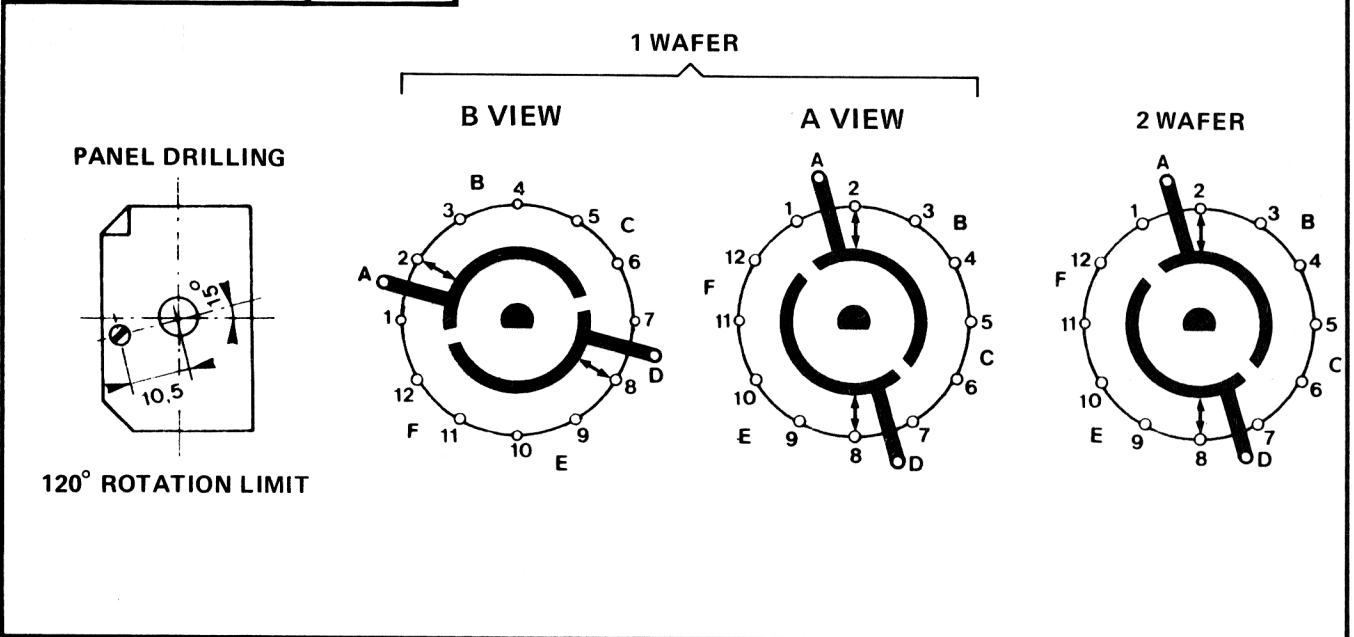
Issue : Revisions 1: NATO code 1.10.2004	 www.iec-monaco.com Tél. +377 92 05 66 88 Fax: +377 92 05 77 26	IEC ELECTRONIQUE SJ 328
--	--	---



A 300B 09 66 235
L = 58,5
FRONT VIEW (SWITCH SIDE)



A 300B 09 64 098A
L = 58,5
FRONT VIEW (SWITCH SIDE)



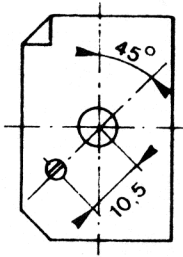
24-09-05

A 300B 09 64 306A

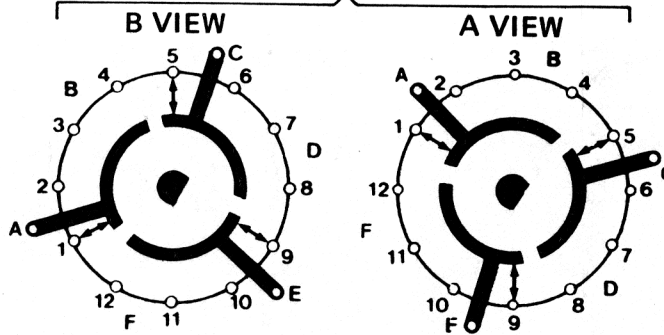
L = 58,5

FRONT VIEW (SWITCH SIDE)
1 WAFER

PANEL DRILLING



90° ROTATION LIMIT

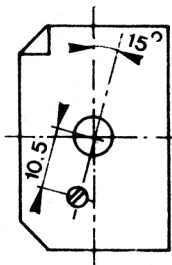


A 300B 09 60 6012A

L = 66

FRONT VIEW (SWITCH SIDE)

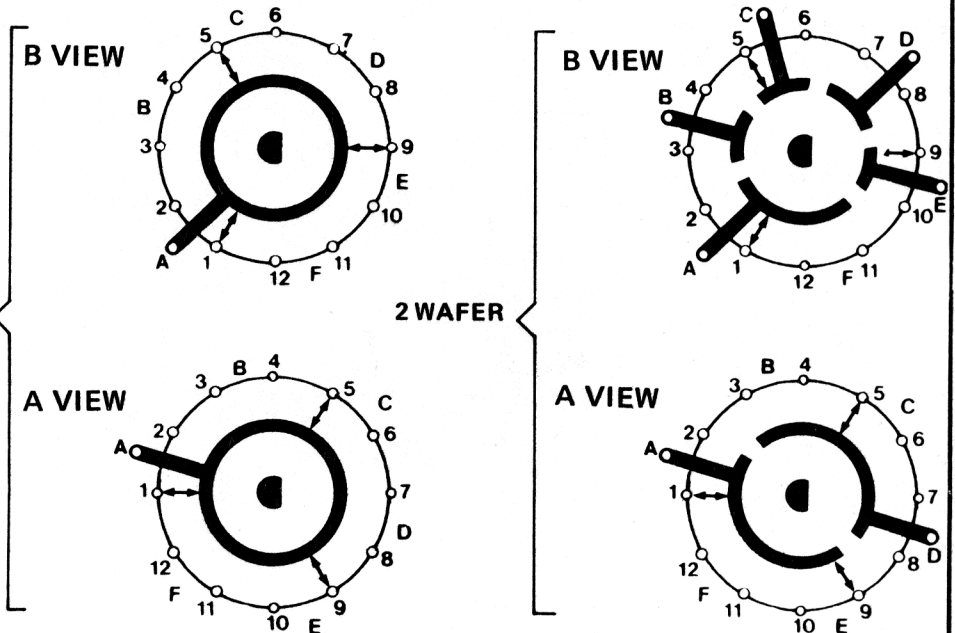
PANEL DRILLING



90° ROTATION LIMIT

1 WAFER

2 WAFER



GENERAL CHARACTERISTICS

Max. operating temp. dry heat °C	+ 90
Min. operating temp. dry cold °C	- 60
Switches with solid silver contacts	
Rated voltage (Volts)	150
Rated current (Amp)	1
Max. breaking power (Watts)	45
Contact resistance	0.003
DIELECTRIC STRENGTH IN VOLTS D.C.		
Between non shorting contacts	1500
Between contacts and pole-pieces	2000
Between contacts, pole-pieces and ground	1500
Between two adjacent contacts (Megohms)	1.10 ⁶
Between contacts and ground (Megohms)	1.10 ⁵