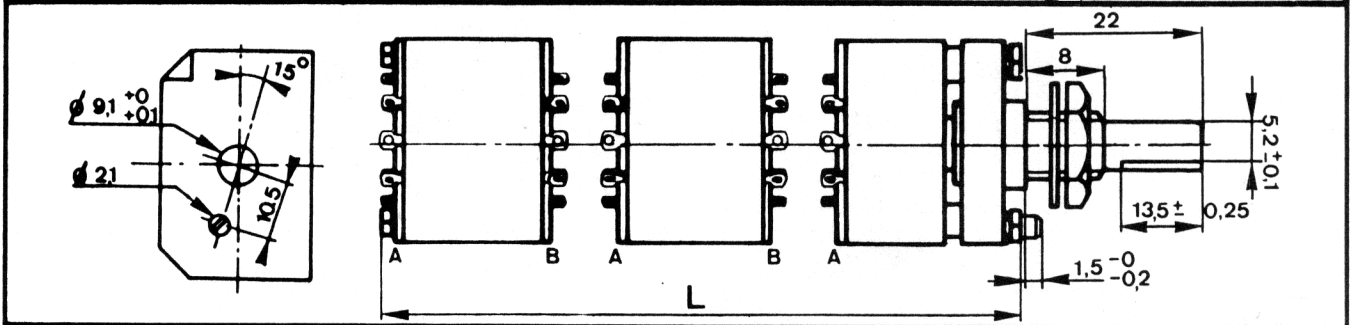
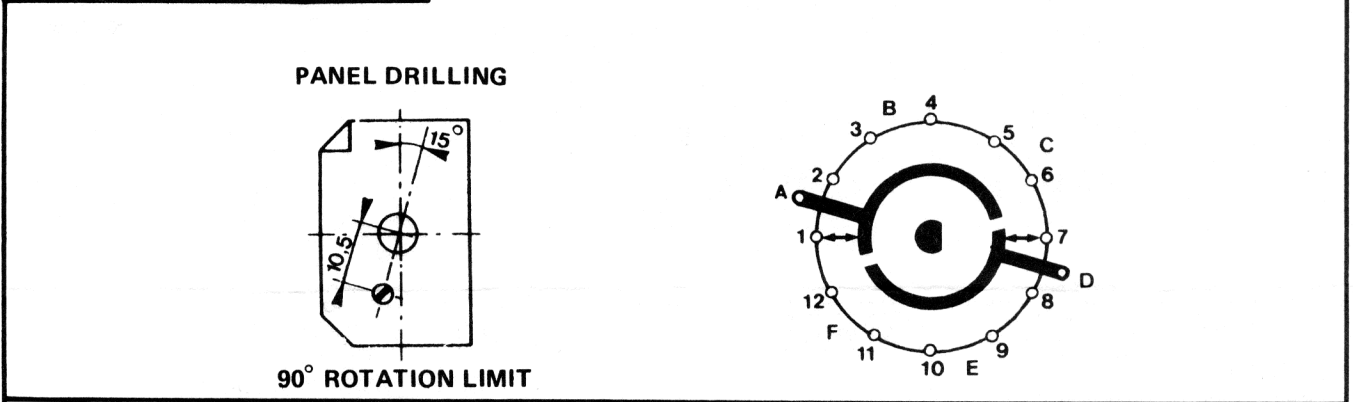


COMPONENT MAINTENANCE MANUAL

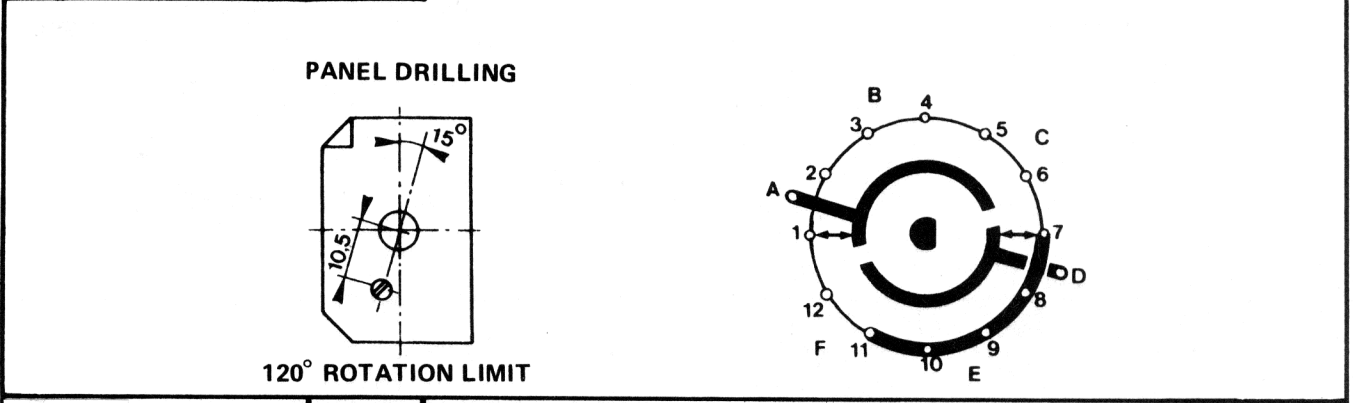
Issue.	 3, Rue de l'Industrie MC 98000 MONACO www.iec-monaco.com Tél. +377 92 05 66 88 Fax: +377 92 05 77 26	<h2 style="margin: 0;">IEC</h2> <h3 style="margin: 0;">ELECTRONIQUE</h3> <p style="margin: 0;">SJ 328</p>	
Revisions 1: NATO code 1.10.2004			



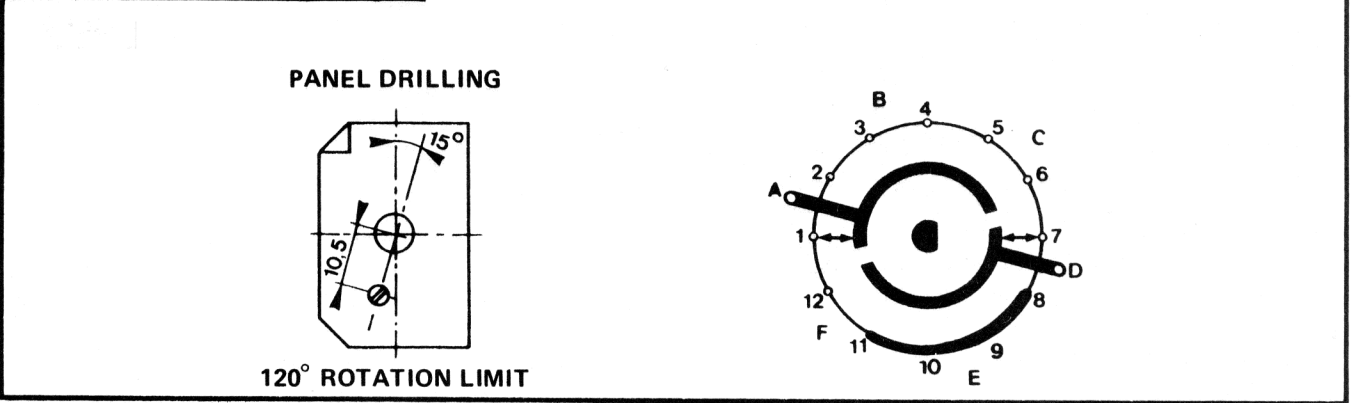
A 300B 09 60 969B | **L = 26** | **FRONT VIEW (SWITCH SIDE)**



A 300B 09 64 282A | **L = 26** | **FRONT VIEW (SWITCH SIDE)**



A 300B 09 64 295A | **L = 26** | **FRONT VIEW (SWITCH SIDE)**

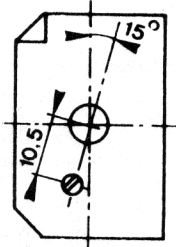


A 300B 09 64 303A

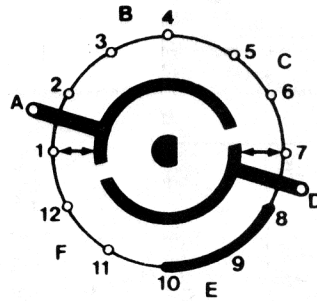
L = 26

FRONT VIEW (SWITCH SIDE)

PANEL DRILLING



90° ROTATION LIMIT

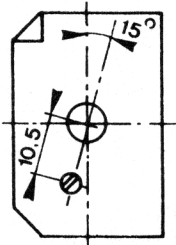


A 300B 09 61 067

L = 47

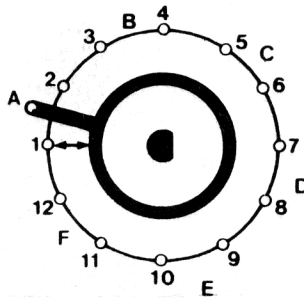
FRONT VIEW (SWITCH SIDE)

PANEL DRILLING

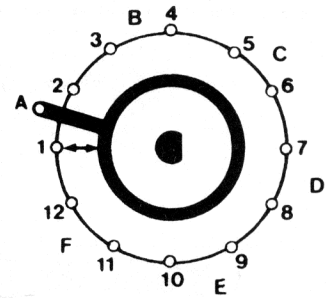


WITHOUT STOPS

1 WAFER



2 WAFER

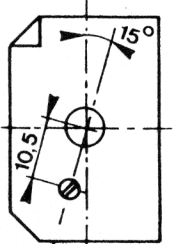


A 300B 09 61 066 A

L = 47

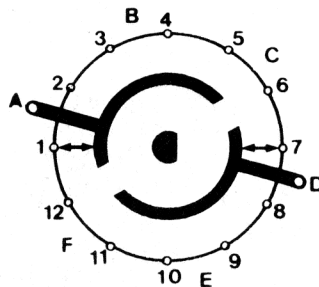
FRONT VIEW (SWITCH SIDE)

PANEL DRILLING

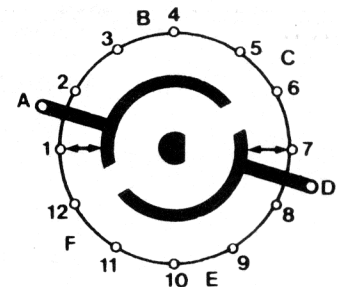


120° ROTATION LIMIT

1 WAFER



2 WAFER



GENERAL CHARACTERISTICS

Max. operating temp. dry heat °C	+ 90
Min. operating temp. dry cold °C	- 60
Switches with solid silver contacts	
Rated voltage (Volts)	150
Rated current (Amp)	1
Max. breaking power (Watts)	45
Contact resistance	0.003

DIELECTRIC STRENGTH IN VOLTS D.C.

Between non shorting contacts	1500
Between contacts and pole-pieces	2000
Between contacts, pole-pieces and ground	1500
Between two adjacent contacts (Megohms)	1.10 ⁶
Between contacts and ground (Megohms)	1.10 ⁵

24-09-02