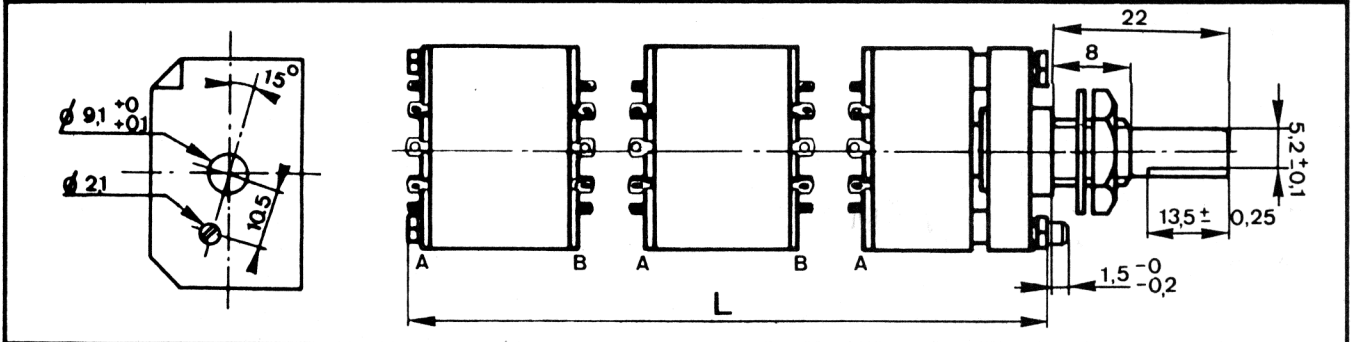
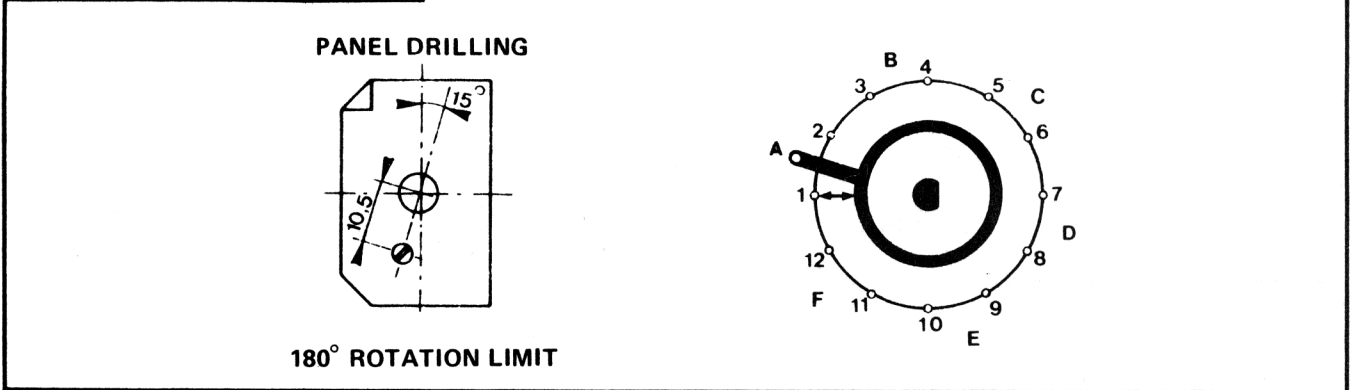


COMPONENT MAINTENANCE MANUAL

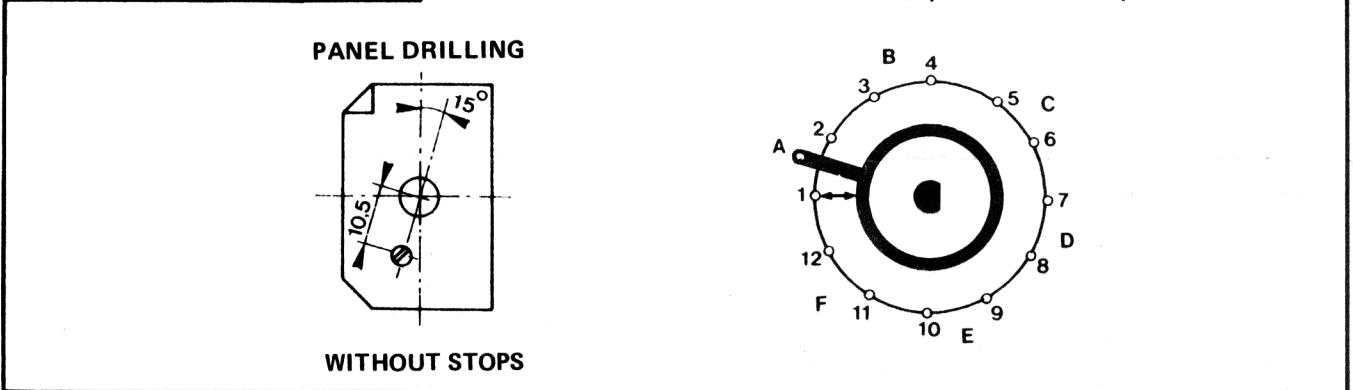
Issue .	<p>ROTARY SWITCH</p> <p>SUBMINI A12</p> <p>www.iec-monaco.com</p>	<p>IEC</p> <p>ELECTRONIQUE</p> <p>SJ 328</p>
Revisions 1 : NATO code 1.10.2004		



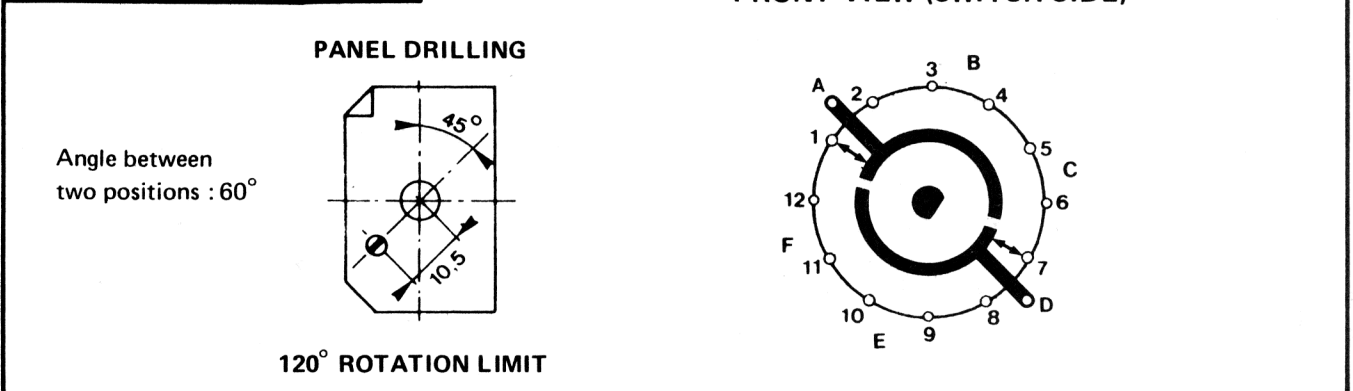
A 300B 09 60 6071 L = 26 FRONT VIEW (SWITCH SIDE)



A 300B 09 61 021D L = 26 FRONT VIEW (SWITCH SIDE)



A 300B 09 64 220 L = 26 FRONT VIEW (SWITCH SIDE)



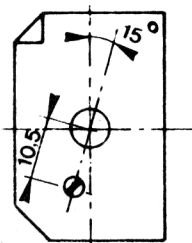
A 300B 09 69 801

L = 26

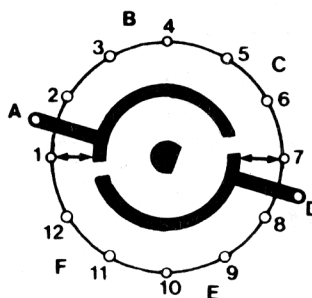
FRONT VIEW (SWITCH SIDE)

PANEL DRILLING

Flat length 9,5 mm



90° ROTATION LIMIT

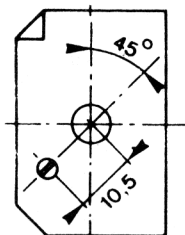


A 300B 09 64 328A

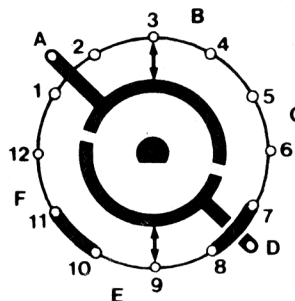
L = 26

FRONT VIEW (SWITCH SIDE)

PANEL DRILLING



120° ROTATION LIMIT

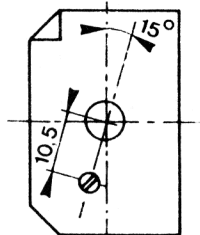


A 300B 09 64 266A

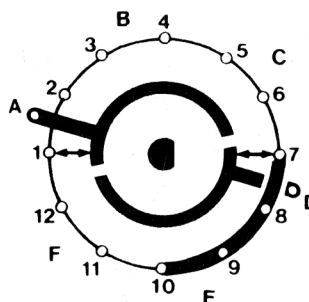
L = 26

FRONT VIEW (SWITCH SIDE)

PANEL DRILLING



90° ROTATION LIMIT



GENERAL CHARACTERISTICS

Max. operating temp. dry heat °C	+ 90
Min. operating temp. dry cold °C	- 60
Switches with solid silver contacts	
Rated voltage (Volts)	150
Rated current (Amp)	1
Max. breaking power (Watts)	45
Contact resistance	0.003

DIELECTRIC STRENGTH IN VOLTS D.C.

Between non shorting contacts	1500
Between contacts and pole-pieces	2000
Between contacts, pole-pieces and ground	1500
Between two adjacent contacts (Megohms)	1.10 ⁶
Between contacts and ground (Megohms)	1.10 ⁵